



FORKLIFT SALES & MANUFACTURER



TASKFORKLIFTS.COM



INFO@TASKFORKLIFTS.COM



CALL US: (972) 522-7610



+ TASK **SIDEWINDER® F-165** TASK SUPPORT VEHICLE

TASK **SIDEWINDER® F-165**

SIDEWINDER® F-165.

The SIDEWINDER® F-165 is the new innovative stock picker by TASK® Forklifts. The unit uses tried and tested technology to create one of the safest, easiest to use, innovative stock pickers on the market.

With a reverse camera, optional USB ports, a real time Curtis control display, standard Class 2 carriage forks, and a range of accessories to choose from, the SIDEWINDER® F-165 is the all one machine needed in your warehouse.

INDUSTRY READY.

The SIDEWINDER® includes an industrial battery allowing operators multiple shift use before needing to be recharged. The inbuilt charger allows users to charge the machine via a standard 110V wall plug.

The Class 2 carriage forks, and stainless steel goods tray/platform can carry up to 880lbs allowing operators to carry more stock at once.



DIMENSIONS.

The SIDEWINDER® Task Support Vehicle can work in aisles as narrow as 33" (Under 3ft); and has a total dimension of 68 1/2" x 33".



**SUPPORT
VEHICLE**

EMAIL: INFO@TASKFORKLIFTS.COM

WEB: TASKFORKLIFTS.COM

CALL US: (972) 522 7610

• DALLAS • SYDNEY • MELBOURNE • BRISBANE • ADELAIDE • SHANGHAI • SINGAPORE •



165"
Lift Height



880lbs
Capacity



Order
Picker



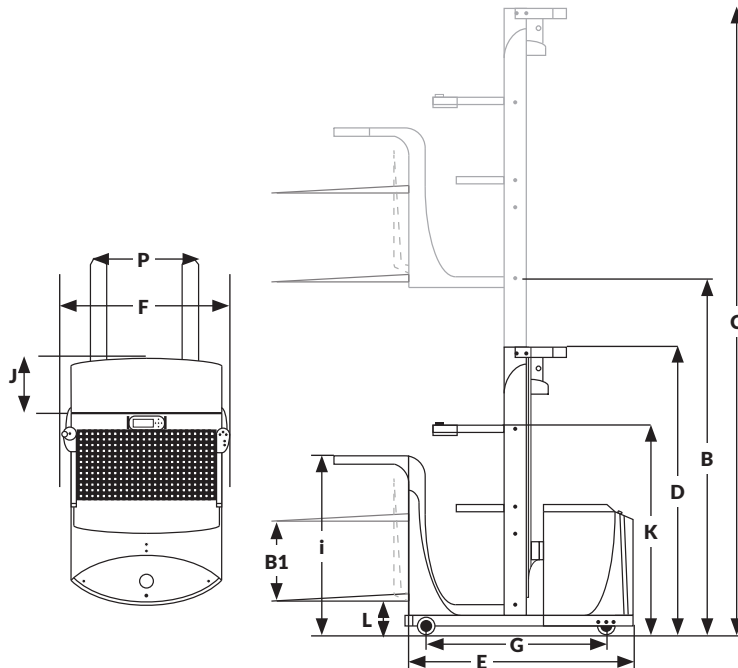
Built-In 110v
Charger

TECHNICAL INFO

DESCRIPTION	SPECIFICATION (F SERIES)
A. Load Capacity - including operator (lbs)	880 lbs
B. Lift Height (inches)	165"
B1. Fork Lift Height (inches)	25"
C. Extended Height (inches)	239.5"
D. Collapsed Height (inches)	77.25"
E. Overall Length Chassis - No Tray or Tines (inches)	56.25"
F. Overall Width (inches)	33"
G. Wheelbase (inches)	45"
H. Ground Clearance (inches)	3.25"
I. Load Tray Height (inches)	44.5"
J. Tray Length (inches)	12.25"
K. Control Panel Height (inches)	33.5"
L. Operator Position Height (inches)	10"
M. Wheel Size - Drive (inches)	10" x 3"
N. Wheel Size - Load (inches)	6" x 3"
O. Weight - Less Battery (lbs)	2651 lbs
P. Carriage Width (inches)	24"
Q. Right Angle Stacking Aisle (inches)	Dimension E + Load Length + 4"

TASK SIDEWINDER® F-165

SUPPORT
VEHICLE



 SIDEWINDER® F-165
Technical Drawing

Due to continuous product improvement, specifications are subject to change without notice or obligation. Some systems and features shown are optional at extra cost.

EMAIL: INFO@TASKFORKLIFTS.COM

WEB: TASKFORKLIFTS.COM

CALL US: (972) 522 7610

• DALLAS • SYDNEY • MELBOURNE • BRISBANE • ADELAIDE • SHANGHAI • SINGAPORE •