



**FORKLIFT SALES & MANUFACTURER**



[TASKFORKLIFTS.COM](http://TASKFORKLIFTS.COM)



[INFO@TASKFORKLIFTS.COM](mailto:INFO@TASKFORKLIFTS.COM)



CALL US: (972) 522-7610

# + TASKTAIPAN®

## ENTRY LEVEL STRADDLE STACKER

### ENTRY LEVEL STACKER.

The TAIPAN® Straddle Stacker is our “entry level stacker”; designed with functionality, durability and toughness in mind. The steel truck chassis provides maximum protection and industrial strength.

The TAIPAN® is available in Duplex Mast with a rated Capacity of 2200lbs.

### MAINTENANCE FREE.

The TAIPAN® is powered using 2 x 12V, 105AH Maintenance Free Batteries. The Maintenance Free batteries come sealed for life from the TASK® factory, and do not require maintenance of water levels.

The most significant benefit of the sealed design is that no service attention is required, other than ensuring the battery is charged correctly.

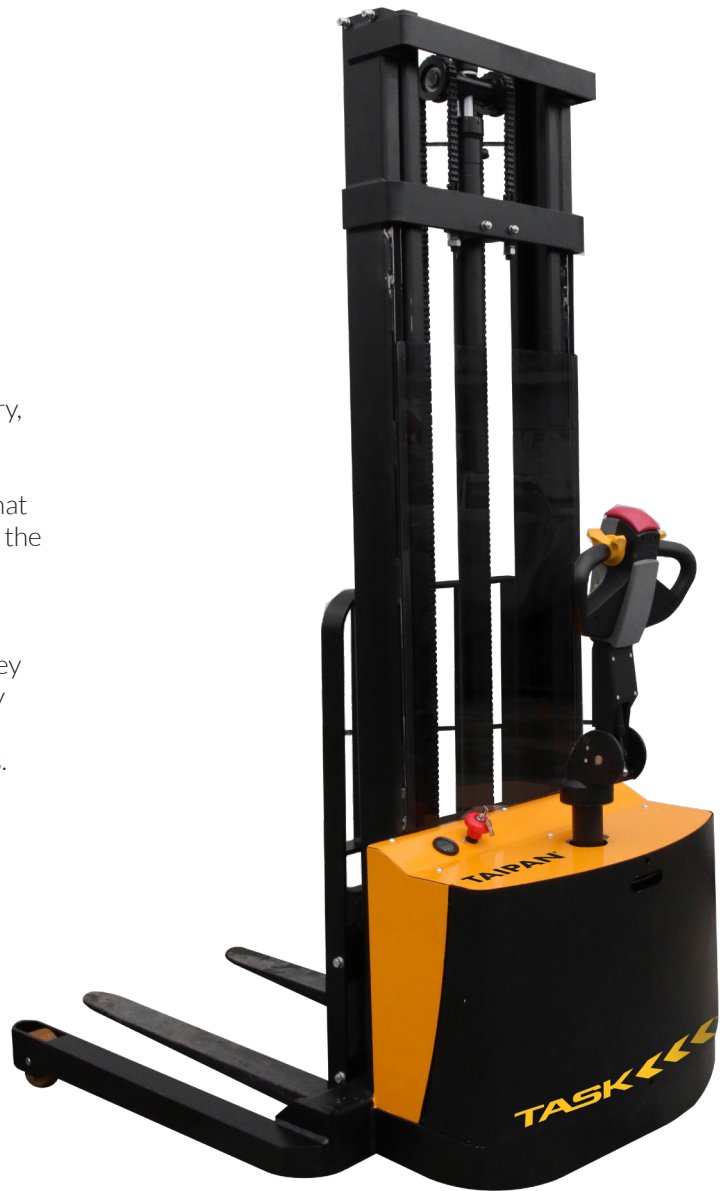
Other Features of the TASK® TAIPAN® include a Key Lock Ignition which also incorporates the emergency power switch, and a full function control handle with forward / reverse travel, horn and lift/lower controls.

### CURTIS® CONTROLLED.



The Curtis® Programmable Control System with Multi-mode allows infinite control of all machine functions.

Authorized TASK® support technicians are able to adjust and optimize settings to meet environmental requirements or different operator skill levels.



# TASKTAIPAN®

## STRADDLE STACKER

EMAIL: [INFO@TASKFORKLIFTS.COM](mailto:INFO@TASKFORKLIFTS.COM)

WEB: [TASKFORKLIFTS.COM](http://TASKFORKLIFTS.COM)

CALL US: (972) 522 7610

• DALLAS • SYDNEY • MELBOURNE • BRISBANE • ADELAIDE • SHANGHAI • SINGAPORE •



118" & 130"  
Lift Height



2200 Lbs  
Capacity



Entry Level  
Stacker



Maintenance  
Free Batteries

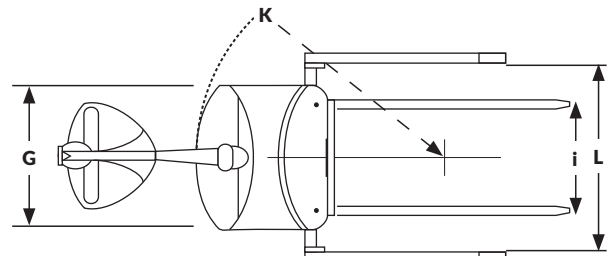
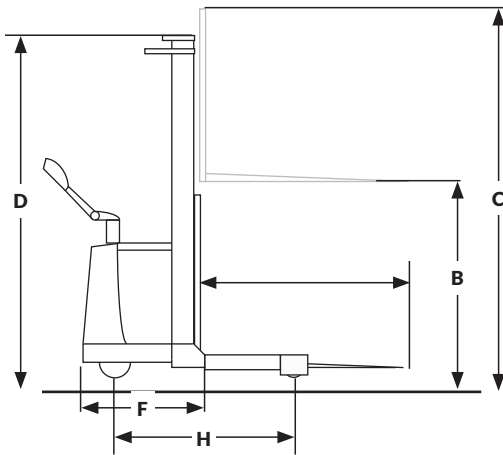
## TECHNICAL INFO

	TWO STAGE	
Lift Height Inches	118"	130"
A. Rated Capacity At 24 Inches L.C.	2200 Lbs	2200 Lbs
B. Lift Height Inches	118"	130"
C. Extended Height Inches With Load Backrest	163.25"	175.25"
D. Collapsed Height Inches	82"	88.25"
E. Free Lift Inches	0	
F. Chassis Length Inches (To Face Of Forks)	22.75"	
G. Chassis Width Inches	32"	
H. Wheelbase Inches	47.5"	
I. Carriage Width Inches	26"	
J. Chassis Under Clearance Inches	2"	
K. Turning Radius Inches	53.5"	
L. Straddle I.D/ O.D Inches	42" / 48" Or 50" / 56"	
M. Weight Less Battery Lbs	1620 Lbs	1665 Lbs
O. Right Angle Stacking Aisle Inches	Dimension F + Load Length + 4 Inches	

# TASKTAIPAN<sup>®</sup>

STRADDLE  
STACKER

TAIPAN<sup>®</sup> Technical Drawing



Due to continuous product improvement, specifications are subject to change without notice or obligation. Some systems and features shown are optional at extra cost.

EMAIL: [INFO@TASKFORKLIFTS.COM](mailto:INFO@TASKFORKLIFTS.COM)

WEB: [TASKFORKLIFTS.COM](http://TASKFORKLIFTS.COM)

CALL US: (972) 522 7610

• DALLAS • SYDNEY • MELBOURNE • BRISBANE • ADELAIDE • SHANGHAI • SINGAPORE •