



FORKLIFT SALES & MANUFACTURER



TASKFORKLIFTS.COM



INFO@TASKFORKLIFTS.COM



CALL US: (972) 522-7610



CURTIS® CONTROLLED.

The Curtis® Programmable Control System with Multi-mode allows infinite control of all machine functions.

Authorized TASK® support technicians are able to adjust and optimize settings to meet environmental requirements or different operator skill levels.



+ TASKVIPER® PEDESTRIAN REACH STACKER

ULTIMATE CONTROL.

With electronic power steering operators of the TASK® VIPER® pedestrian reach stackers find them simple to operate and easy to use in tight spaces.

The VIPER® comes as standard with a tilting carriage, side-shift and pantographic reach. All the functions including lift and lower are controlled using Task's VTC (Variable Total Control) module. This provides users with absolute control when operating the VIPER®.

BUILT TO LAST.

The VIPER® includes a large industrial battery allowing operators multiple shift use before needing to be recharged. The chassis incorporates the latest Laser Lock technology, offering a lifetime warranty on chassis.

Fork carriage is an integrated welded unit and fully rollered to ensure smooth, durable, long last performance.





138" - 177"
Lift Height



3000-4400
Lbs Capacity



Integrated
Tilt Carriage

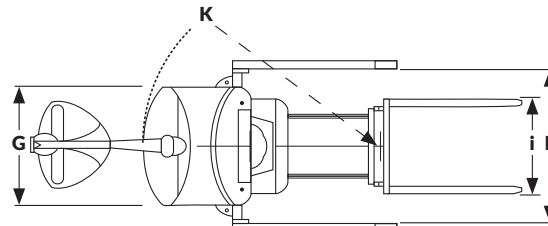
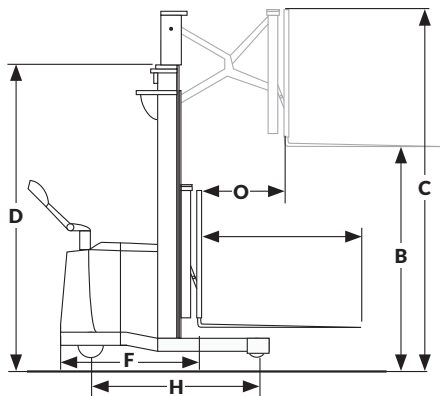


Pantographic
Reach Stacker

TECHNICAL INFO

	MODEL	TWO STAGE	THREE STAGE	
Lift Height Inches		134"	157"	177"
A. Rated Capacity At 24" Inches L.C. (Lbs)	3000	3000 Lbs	3000 Lbs	3000 Lbs
	4400	4400 Lbs	4400 Lbs	4400 Lbs
B. Lift Height Inches		138"	157"	177"
C. Extended Height Inches With Load Backrest		181"	204"	224"
D. Collapsed Height Inches		89"	77"	84"
E. Free Lift Inches		Nil	29.25"	36.25"
F. Chassis Length Inches To Face Of Forks	3000	47"	49"	49"
	4400	53"	55"	55"
G. Chassis Width Inches		36.5"		
H. Wheelbase Inches	3000	56"	58"	58"
	4400	63"	64"	64"
I. Carriage Width Inches		32"		
J. Chassis Under Clearance Inches		2"		
K. Turning Radius Inches	3000	66.5"	67.5"	67.5"
	4400	73"	74"	74"
L. Straddle I.D / O.D Inches	3000	37.2" / 45.2"		
	4400	33.4" / 45.2"		
M/N. Rear // Forward Tilt		6° // 3°		
O. Reach Inches		24"		
P. Weight With Battery (Lbs)	3000	4080 Lbs	4850 Lbs	4850 Lbs
	4400	4125 Lbs	4920 Lbs	4920 Lbs
Q. Battery Compartment Size Inches	3000	35" Wide X 7.5" Long X 24" High		
	4400	31.5" Wide X 13.25" Long X 24" High		
R. Right Angle Stacking Aisle Inches		Dimension F + Load Length + 4 Inches		

TASKVIPER[®]



VIPER[®] Technical Drawing

REACH
STACKER

Due to continuous product improvement, specifications are subject to change without notice or obligation. Some systems and features shown are optional at extra cost.

EMAIL: INFO@TASKFORKLIFTS.COM WEB: TASKFORKLIFTS.COM CALL US: (972) 522 7610

• DALLAS • SYDNEY • MELBOURNE • BRISBANE • ADELAIDE • SHANGHAI • SINGAPORE •