

C-SERIES C26,000

The multi-directional forklift designed for the safe, space saving and productive handling of long and bulky loads.

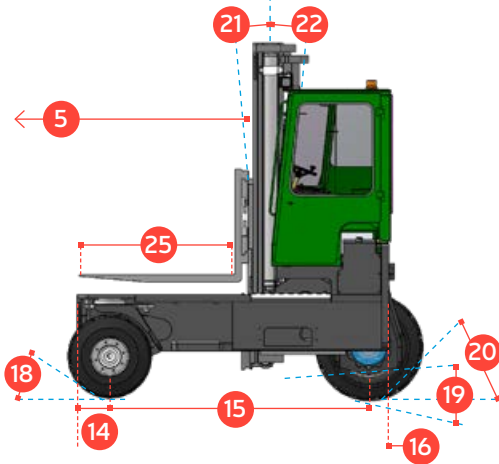
COMBILIFT

LIFTING INNOVATION

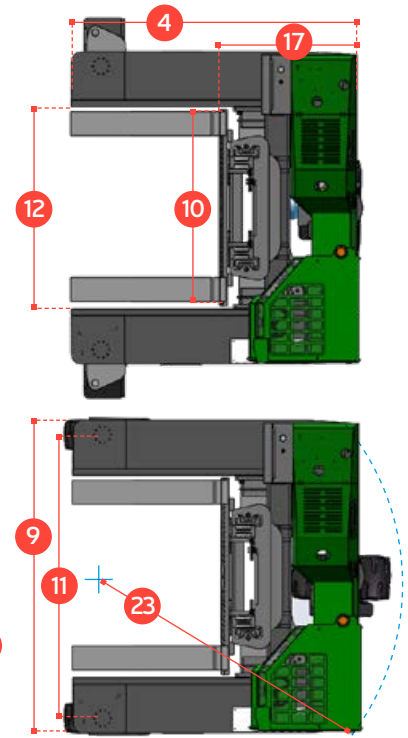
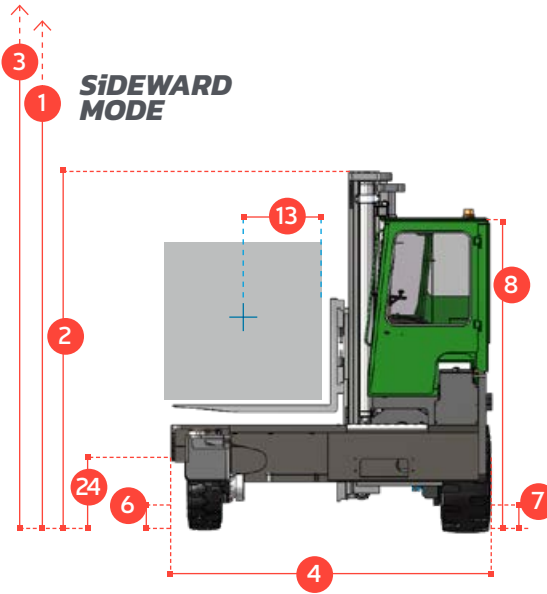


C-SERIES C26,000

FRONTAL MODE

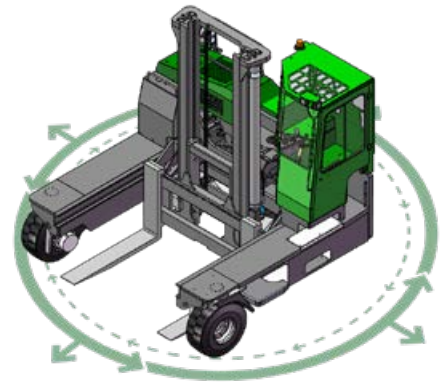


SIWARD MODE



REF.	DESCRIPTION	C26,000
1a	Max. Lift Height	161½"
1b	Free Lift Height	0"
2	Height Mast Closed	136"
3	Max. Mast Raised	228¼"
4	Overall Length	119½"
5	Mast travel	65"
6	Ground Clearance Under Mast	12"
7	Ground Clearance to Center of Wheelbase	13"
8	Height Over Cab (Without worklights)	116¼"
9	Width	128½"
10	Outside Spread of Fork Arms	78¾"
11	Track Front	116"
12	Frame Opening	83"
13	Load Center Distance	24"
14	Overhang Front	12¼"
15	Wheelbase	100"
16	Overhang Back	7¼"
17	Length from Face of Fork	61"
18	Approach Angle	45°
19	Ramp Angle	29°
20	Departure Angle	45°
21	Forward Tilt	4°
22	Backward Tilt	8°
23	Minimum Outside Radius	122¾"
24	Platform Height	38½"
25	Platform Length	58¾"
A	Capacity	26,000 lbs
B	Unladen Weight	33,000 lbs
C	Maximum Ground Speed	12 mph
D	Gradeability	15%
E	LPG GM (PSI) Engine, 4.3L / Diesel Engine Deutz 3.6L	96 HP / 99 HP
F	Electrics	12 Volt
G	Fork Section	2½" x 10" x 58¾"
H	400 x 65 - 15 Front Tire	OD 32½" / Width 12¾"
I	465 / 55 - 20 Rear Tire	OD 40" / Width 18"
J	Standard Color	Green & Gray
K	Suspension Seat	KAB Model 116

Multi-Directional



Features Include:

- Rubber Mounted Half Open Cabin
- Multi-Direction Operation
- 3 Wheel Hydrostatic Drive
- Load Sensing Steering
- 4 Way Lever Positioning of Wheels
- Hydraulic Oil Cooler

Distributed by:

European Patent No. 2167416; Brazilian Patent No. P10811954-6; Australian Patent No. 2008253242

COMBILIFT HAS A POLICY OF CONTINUOUS PRODUCT DEVELOPMENT AND RESERVES THE RIGHT TO ALTER SPECIFICATIONS WITHOUT PRIOR NOTICE. SPECIFICATIONS AND/OR DIMENSIONS MAY VARY FROM THOSE ILLUSTRATED IN SOME COUNTRIES.

303 CONCORD STREET,
GREENSBORO,
NORTH CAROLINA 27406

TOLL FREE: 1-877 COMBI 56
TEL: 336-378-8884
INFO@COMBILIFT.COM

combilift.com