

# **C-SERIES** **C5,000-C6,000** **Compact**

The multi-directional forklift designed for the safe, space saving and productive handling of long and bulky loads.

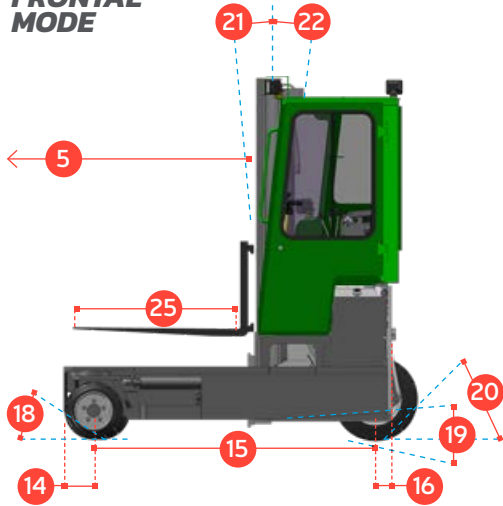
# **COMBiLiFT**

LIFTING INNOVATION

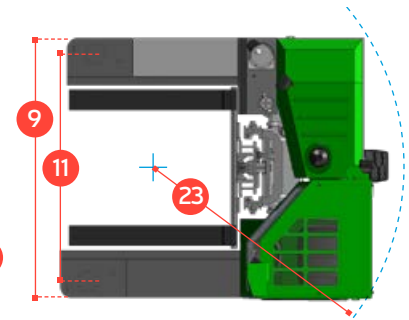
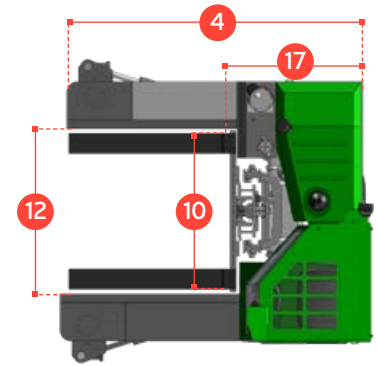
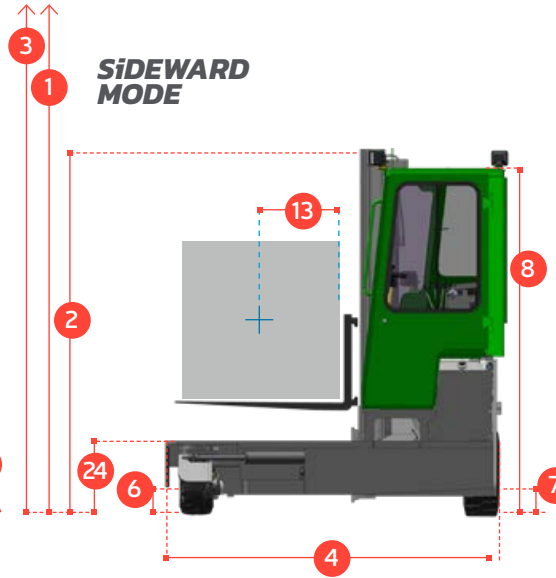


# C-SERIES C5000-C6000 Compact

**FRONTAL  
MODE**



**SIDEWARD  
MODE**



| REF. | DESCRIPTION  | C5000      | C6000             |
|------|--|------------|-------------------|
| 1a   | Standard Lift Height                                     |            | 159"              |
| 1b   | Free Lift Height   |            | 0"                |
| 2    | Height Mast Closed                                       |            | 104"              |
| 3    | Max. (Mast Raised)                                       |            | 188"              |
| 4    | Overall Length   | 75"        | 89"               |
| 5    | Mast Travel  | 33½"       | 47½"              |
| 6    | Ground Clearance Under Mast                              |            | 6"                |
| 7    | Ground Clearance to Wheelbase Center                     |            | 5"                |
| 8    | Height Over Cab or of Overhead Guard                     |            | 92"               |
| 9    | Width  |            | 76"               |
| 10   | Outside Spread of Fork Arms                              |            | 47"               |
| 11   | Track Front  |            | 68"               |
| 12   | Frame Opening  |            | 48"               |
| 13   | Load Center Distance                                     |            | 24"               |
| 14   | Overhang Front   |            | 8"                |
| 15   | Wheel Base   | 60"        | 74"               |
| 16   | Overhang Back  |            | 7"                |
| 17   | Length from Face of Fork                                 |            | 43½"              |
| 18   | Approach Angle   |            | 45°               |
| 19   | Ramp Angle   |            | 17°               |
| 20   | Departure Angle  |            | 45°               |
| 21   | Forward Tilt   |            | 2°                |
| 22   | Backward Tilt  |            | 4°                |
| 23   | Minimum Outside Radius                                   | 75"        | 87"               |
| 24   | Platform Height  |            | 19½"              |
| 25   | Platform Length  | 31½"       | 45¼"              |
| A    | Capacity   | 5000 lbs   | 6000 lbs          |
| B    | Unladen Weight   | 10,350 lbs | 10,800 lbs        |
| C    | Maximum Ground Speed                                     |            | 9 mph             |
| D    | Gradeability   |            | 10%               |
| E    | LPG Engine Kubota WG2503 / Diesel Engine Kubota V1505 TE |            | 62 HP / 44 HP     |
| F    | Electrics  |            | 12 Volt           |
| G    | Fork Sections 2" x 6" x                                  | 31½"       | 45¼"              |
| H    | 16 x 7 - 10.5 Front Tire                                 |            | OD 16"/ Width 7"  |
| I    | 23 x 10 - 12 Rear Tire                                   |            | OD 23"/ Width 10" |
| J    | Standard Color   |            | Green and Gray    |
| K    | Suspension Seat  |            | KAB Model 116     |

## Multi-Directional



### Features Include:

- Rubber Mounted Half Open Cabin
- Multi-Direction Operation
- 3 Wheel Hydrostatic Drive
- Load Sensing Steering
- 4 Way Lever Positioning of Wheels
- Hydraulic Oil Cooler

### Distributed by:

European Patent No. 2167416; Brazilian Patent No. P10811954-6; Australian Patent No. 2008253242

COMBILIFT HAS A POLICY OF CONTINUOUS PRODUCT DEVELOPMENT AND RESERVES THE RIGHT TO ALTER SPECIFICATIONS WITHOUT PRIOR NOTICE. SPECIFICATIONS AND/OR DIMENSIONS MAY VARY FROM THOSE ILLUSTRATED IN SOME COUNTRIES.

303 CONCORD STREET,  
GREENSBORO,  
NORTH CAROLINA 27406

TOLL FREE: 1-877 COMBI 56  
TEL: 336-378-8884  
INFO@COMBILIFT.COM

**combilift.com**