

# COMBi-GT 10,000

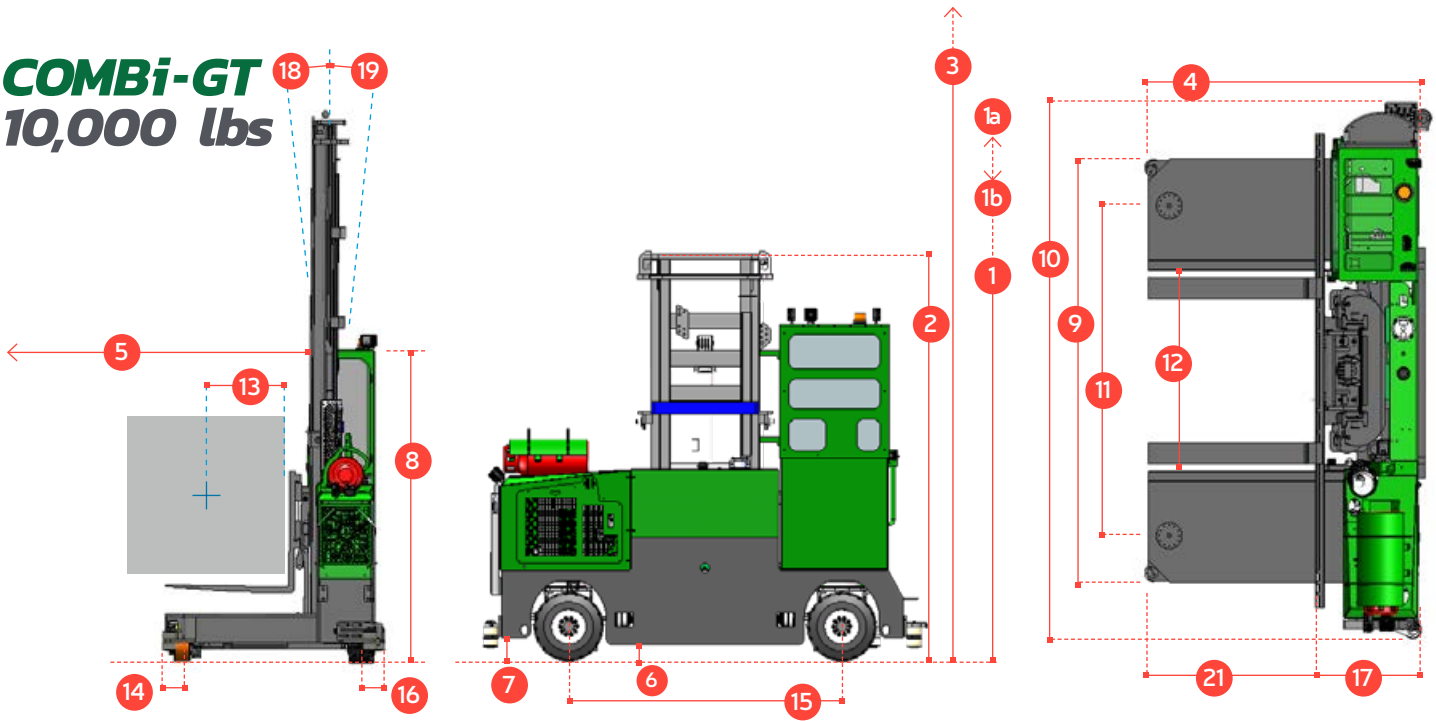
The multi-directional forklift designed for the safe, space saving and productive handling of long and bulky loads.

# COMBiLiFT

LIFTING INNOVATION



# COMBi-GT 10,000 lbs



REF.	DESCRIPTION	C6,000 GT							
1a	Lift Height	248"							
1b	Free Lift Height	104"							
2	Height Mast Closed	157"							
3	Max. Mast Raised	303"							
4	Overall Length	50"	56"	62"	68"	74"	80"	86"	
5	Mast travel	26"	32"	38"	44"	50"	56"	62"	
6	Ground Clearance Under Mast	5"							
7	Ground Clearance to Center of Wheelbase	5"							
8	Height Over Cab (without work lights)	114"							
9	Width Across Platforms	116"							
10	Outside Spread of Fork Arms	131½"							
11	Wheelbase	90½"							
12	Frame Opening	55"							
13	Load Center Distance	12"	15"	18"	21"	24"	24"	24"	
14	Overhang Front	6"							
15	Track	38"	44"	50"	56"	62"	68"	74"	
16	Overhang Back	6"							
17	Length from Face of Fork	26"							
18	Forward Tilt	3°							
19	Backward Tilt	4½°							
20	Platform Height (with front lowered)	16½"							
21	Platform Length	24"	30"	36"	42"	48"	54"	60"	
A	Capacity	6,000 lbs							
B	Unladen Weight	18,000 lbs	18,500 lbs	19,000 lbs	19,500 lbs	20,000 lbs	20,500 lbs	21,000 lbs	
C	Maximum Ground Speed	7½ mph							
D	Gradeability	10%							
E	LPG Engine, 3.0L GM	65 HP							
F	Electrics	12 Volt							
G	Fork Section 2" x 6" x	24"	30"	36"	42"	48"	54"	60"	
H	350 / 150 - 280 Front Tire (Solid) x2	OD 14" / Width 6"							
I	16 x 7 - 12 Rear Tire (Super Elastic) x2	OD 23" / Width 10"							
J	Standard Color	Green & Gray							

**Distributed by:**

## Features Include:

- Rubber Mounted Overhead Guard
- 4 Wheel Steering
- Load Sensing Steering
- 2 Wheel Hydrostatic Drive
- Tilting Chassis +/- ½" at front
- Hydraulic Oil Cooler

COMBILIFT HAS A POLICY OF CONTINUOUS PRODUCT DEVELOPMENT AND RESERVES THE RIGHT TO ALTER SPECIFICATIONS WITHOUT PRIOR NOTICE. SPECIFICATIONS AND/OR DIMENSIONS MAY VARY FROM THOSE ILLUSTRATED IN SOME COUNTRIES.

303 CONCORD STREET,  
GREENSBORO,  
NORTH CAROLINA 27406

TOLL FREE: 1-877 COMBI 56  
TEL: 336-378-8884  
INFO@COMBILIFT.COM

**combilift.com**