

COMBi-CB 15-5E

Amazing performance, extensive battery life and unrivalled ergonomics combined with all the advantages of the Combi-CB range make the CB70E the most powerful, compact multidirectional forklift yet.

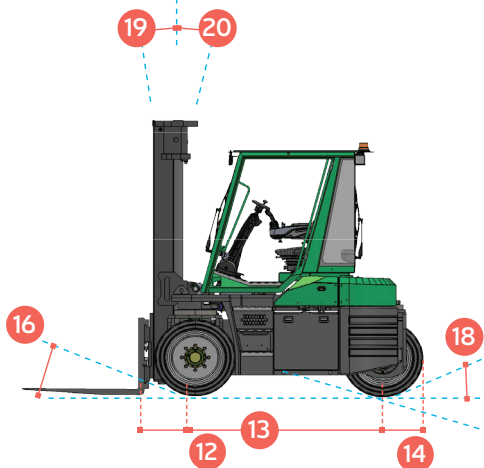
COMBiLiFT

LIFTING INNOVATION

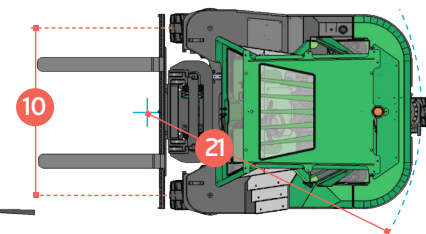
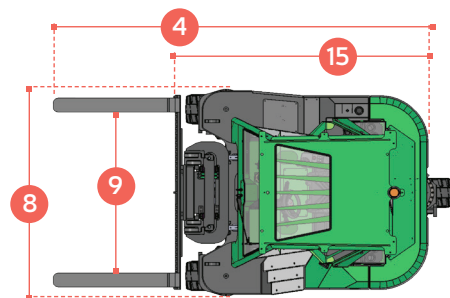
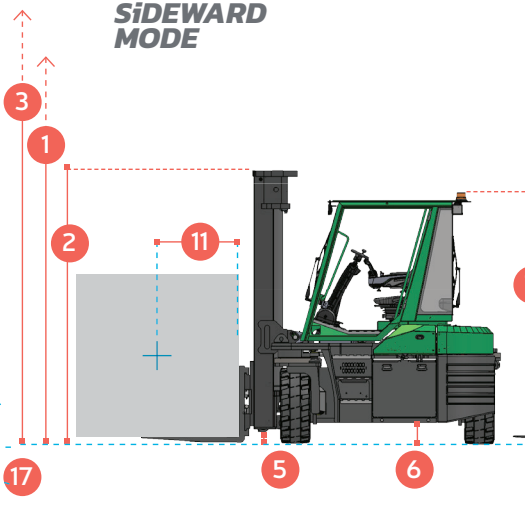


COMBi-CB 15-5E

FRONTAL
MODE



SiDEWARD
MODE



REF. DESCRIPTION

STD

1a	Standard Lift Height	157"
1b	Free Lift Height	0
2	Height Mast Closed	120"
3	Max. (Mast raised)	204"
4	Overall Length	152 3/4"
5	Ground Clearance Under Mast	5 1/2"
6	Ground Clearance to Wheelbase Centre	8"
7	Height of Overhead Guard	104 1/2"
8	Width	86"
9	Outside Spread of Fork Arms	3 1/2"
10	Track Front	71"
11	Load Centre Distance	24"
12	Overhang Front	23"
13	Wheelbase	76"
14	Overhang Back	6"
15	Length From Face of Fork	105 1/2"
16	Approach Angle	25°
17	Ramp Angle	28°
18	Departure Angle	28°
19	Forward Tilt	6°
20	Backward Tilt	6°
21	Minimum Outside Radius	59 1/2"
22	Side Shift Mast	+/- 2 1/2"
A	Capacity	15500 lbs
B	Unladen Weight	28660 lbs
C	Maximum Ground Speed	16 km/h
D	Gradeability	10%
E	Battery Capacity	80 V / 1000 Ah
F	AC Electric Traction Motor x 3	80 V / 7.5 kW
G	AC Electric Pump Motor	80 V / 41 kW
H	Fork Section	5 1/2 x 2 1/2 x 47
I	355 50-20 Tyre x 3	OD 33 / Width 12
J	Standard Colour	Green and Grey
K	Suspension Seat	Grammer MSG 83/521

Intelligent Seat Rotation

The CB15-5E's patented swivel seat automatically swivels 15° to the left or right with the selected direction of travel, maximizing driver visibility and reducing strain when travelling in reverse.



Features Include:

- Ergonomic cabin
- Multi-directional operation
- Powered by AC technology
- Suspension Cabin
- Centrally Positioned Operator
- Rollout Batteries
- Rotating Seat

Patent Files:

PATENT PENDING APPLICATION NO. - 2305983.5
 EUROPEAN PATENT NO. - 2956350
 CHINESE PATENT NO. - 201480009365.9
 UNITED STATES PATENT NO. - 9561943
 AUSTRALIA PATENT NO. - 2014217777
 BRAZILIAN PATENT APPLICATION NO. -
 BR112015020348-5
 CANADIAN PATENT NO. - 2901522
 INDIAN PATENT NO. - 399494

COMBILIFT HAS A POLICY OF CONTINUOUS PRODUCT DEVELOPMENT AND RESERVES THE RIGHT TO ALTER SPECIFICATIONS WITHOUT PRIOR NOTICE. SPECIFICATIONS AND/OR DIMENSIONS MAY VARY FROM THOSE ILLUSTRATED IN SOME COUNTRIES.

CO. MONAGHAN
IRELAND

+353 47 80500
INFO@COMBILIFT.COM

combilift.com