

# COMBi-CS 4400 lbs. Counter-balanced Stacker

Equipped with our patented multi-position tiller arm the Combi-CS offers safer operation, maximum operator visibility and narrow aisle performance.

# COMBiLiFT

LIFTING INNOVATION

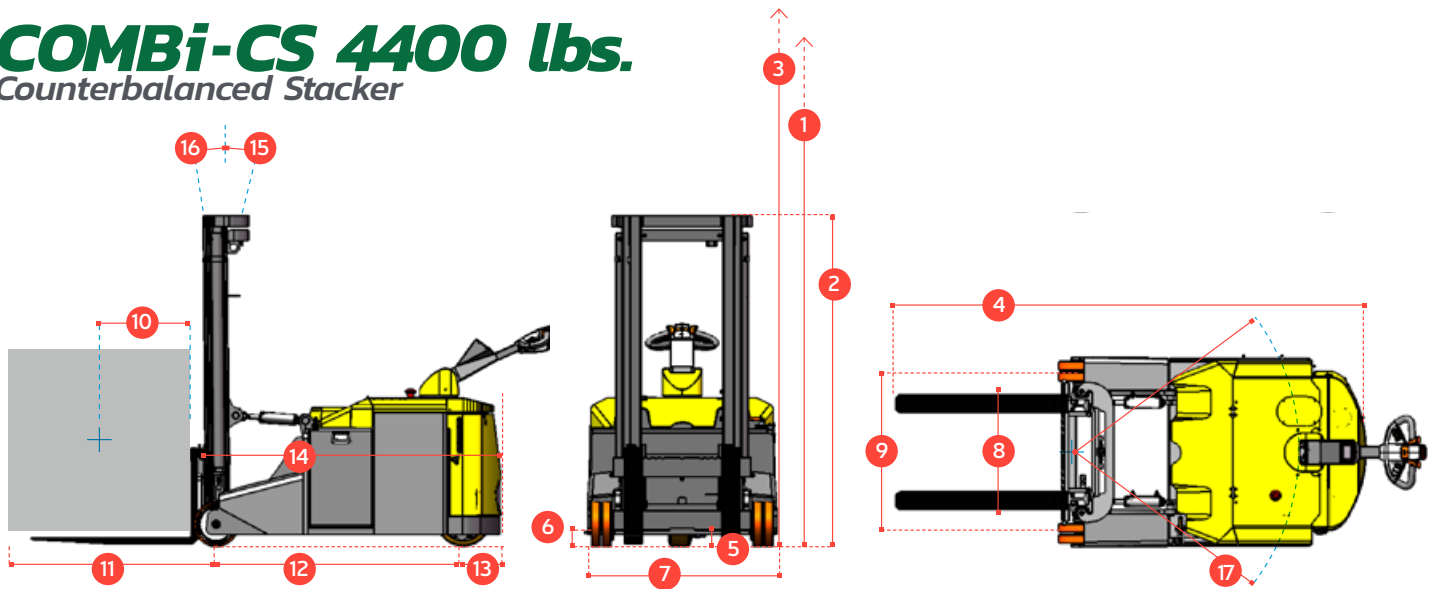


Patented Multi-Position  
Tiller Arm



# COMBi-CS 4400 lbs.

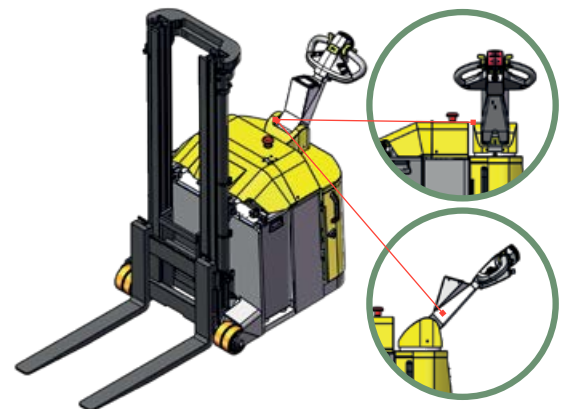
## Counterbalanced Stacker



REF.	DESCRIPTION	Standard
1	Standard Lift Height	98"
2	Height Mast Closed	74"
3	Max. (Mast raised)	121"
4	Overall Length	99", 105", 111"
5	Ground Clearance Under Mast	3"
6	Ground Clearance to Centre of Wheelbase	2"
7	Width	41"
8	Outside Spread of Fork Arms	30 1/3"
9	Track Front	35 2/3"
10	Load Centre Distance	24"
11	Overhang Front	47 2/3"
12	Wheelbase	54 1/2"
13	Overhang Back	8"
14	Length From Face of Fork	69"
15	Fork Backward Tilt	5°
16	Fork Forward Tilt	2°
17	Minimum Outside Radius	51 2/3", 57", 63 1/3"
A	Capacity	3300, 3850, 4400 lbs to 98" High
B	Unladen Weight	7300, 7500, 7600 lbs
C	Maximum Ground Speed	4 mph
D	Gradeability	5%
E	Battery Capacity	24 V / 630Ah
F	Fork Section	1 1/2" x 4" x 37 1/2"
G	Front Tyre (Polyurethane)	OD 10" / Width 2"
H	Rear Tyre (Vulkollan)	OD 12" / Width 3"
I	Standard Colour	Yellow & Grey
J	AC Electric Traction Motor	24 V / 4 kW
K	AC Electric Pump Motor	24 V / 5 kWw

### Superior safety with Combilift's patented Multi-Position Tiller Arm

The tiller can be turned to the left or right to allow the operator to remain at the side. This enables full visibility of the load and forks, while maintaining full steering control, providing greater awareness of the surroundings for enhanced overall safety.

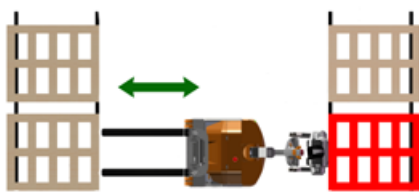


### Features Include:

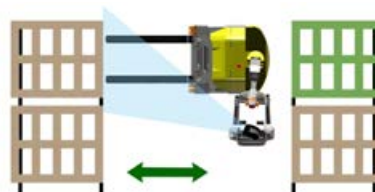
- Power Steering
- AC Motor Technology
- Rear Wheel Drive
- Patented Multi-Position Tiller Arm

### Distributed by:

### Without Combi-CS



### Using Combi-CS



Standing to the side of the stacker eliminates the risk of being trapped or crushed while allowing the Combi-CS to operate in very narrow aisles.

International Application No. PCT/EP2012/067238

COMBILIFT HAS A POLICY OF CONTINUOUS PRODUCT DEVELOPMENT AND RESERVES THE RIGHT TO ALTER SPECIFICATIONS WITHOUT PRIOR NOTICE. SPECIFICATIONS AND/OR DIMENSIONS MAY VARY FROM THOSE ILLUSTRATED IN SOME COUNTRIES.

303 CONCORD STREET  
GREENSBORO  
NORTH CAROLINA COMBI 56

TOLL FREE: 1-877 COMBI 56  
TEL: 336-378-8884  
INFO@COMBILIFT.COM

**combilift.com**