

COMBi-MR4 Dynamic 360° 8000 - 10000 lbs.

COMBiLiFT

LIFTING INNOVATION

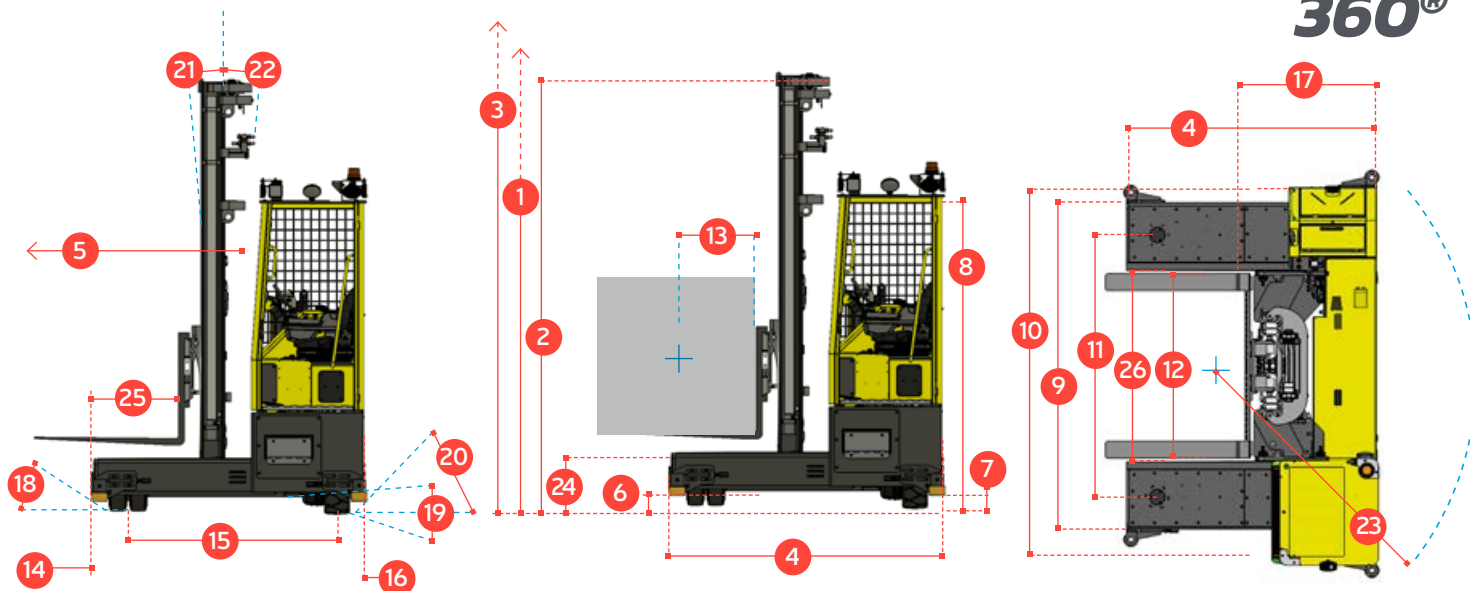
Incorporating our proprietary Dynamic 360° Steering System the Combi-MR4 enables seamless and intuitive directional change while driving.

Dynamic 360°



COMBi-MR4 8000 - 10000 lbs.

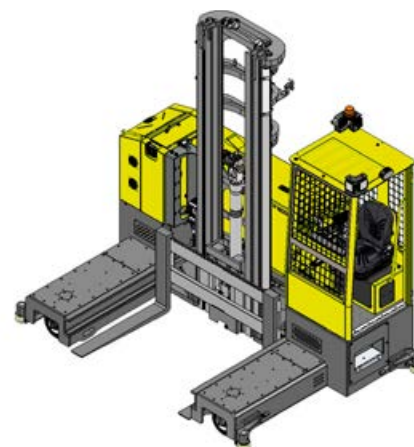
Dynamic 360[®]



This compact truck features two rear wheel drive and dynamic 360° steering rotation. This contributes to faster procedures for manufacturing distribution and logistics operations.

REF.	DESCRIPTION	STANDARD
1a	Standard Lift Height	216 ½"
1b	Freelift Height	17 ½"
2	Height Mast Closed	107 ¾"
3	Max. (Mast raised)	250 ½"
4	Overall Length	86 ½"
5	Mast Travel	52 ¾"
6	Ground Clearance Under Mast	4 ¾"
7	Ground Clearance to Wheelbase	4
8	Height Over Cab (without work lights)	97 ¼"
9	Chassis Width over legs	111 ½"
10	Overall Width	127"
11	Track Front	89 ½"
12	Width over forks	63
13	Load Centre Distance	23 ⅝"
14	Overhang Front	10 ½"
15	Wheelbase	72 ¼"
16	Overhang Back	10 ½"
17	Length From Face of Fork	39"
18	Approach Angle	35°
19	Ramp Angle	15°
20	Departure Angle	35°
21	Forward Tilt	3°
22	Backward Tilt	4°
23	Minimum Outside Radius	79"
24	Platform Height	16 ½"
25	Platform Length	47 ¼"
26	Frame Opening	65"
A	Capacity	10,000 lbs.
B	Unladen Weight	15432 lbs.
C	Maximum Ground Speed	6 mph
D	Gradability	10%
E	AC Rear Drive	2 x 8kW
F	Battery	775Ah 80V
G	Fork Section	2" x 4" x 49"
H	Option 1 Vulkollan Front Tyre x2	OD 12" / Width 4"
	Option 2 Rubber Front Tyre x2	OD 12" / Width 5 ½"
I	Option 1 Vulkollan Rear Tyre x2	OD 18" / Width 7"
	Option 2 Solid Rubber Rear Tyre x2	OD 18" / Width 9"
J	Standard Colour	Yellow & Grey

Multi-Directional



Features Include:

- Seated Operator Over-Head Guard
- Multi-Direction Operation
- AC Electric Steering
- AC Motor Technology
- Multi-Function Joystick
- Dynamic 360° Steering

Distributed by: