

COMBi-SLE 11000 lbs

The 3 wheel electric sideloader forklift designed for the safe, space saving and productive handling of long and bulky loads.

COMBiLiFT

LIFTING INNOVATION

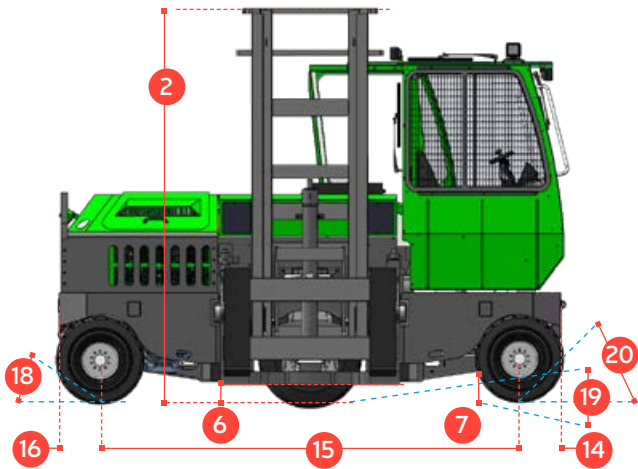


Combi-SRE: Rear Mounted Cabin

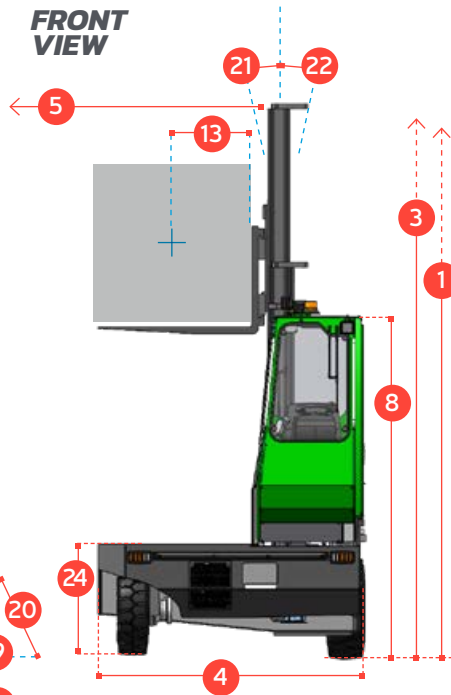


COMBi-SLE 11000 lbs

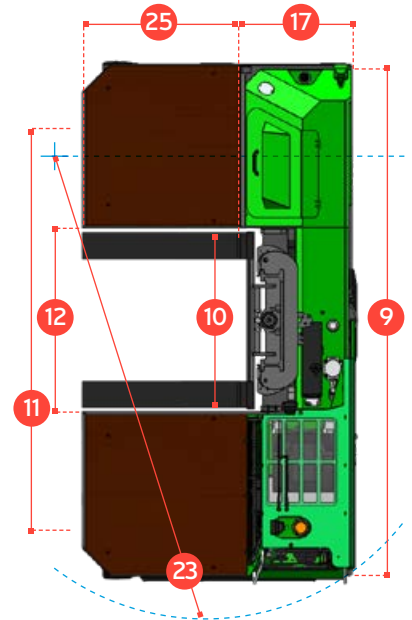
SIDE VIEW



FRONT VIEW



OVERHEAD VIEW



REF.	DESCRIPTION	11000 SLE
1a	Standard Lift Height	159"
1b	Free Lift Height	0"
2	Height Mast Closed	126"
3	Max. (Mast raised)	12114"
4	Overall Length	5181"
5	Mast Travel	3086"
6	Ground Clearance Under Mast	17"
7	Ground Clearance to Centre of Wheelbase	4"
8	Height Over Cab (Without work lights)	108"
9	Width	167"
10	Outside Spread of Fork Arms	57"
11	Track Front	142"
12	Frame Opening	63"
13	Load Centre Distance	24"
14	Overhang Front	11"
15	Wheelbase	77"
16	Overhang Back	5"
17	Length From Face of Fork	43"
18	Approach Angle	45°
19	Ramp Angle	18°
20	Departure Angle	45°
21	Forward Tilt	3°
22	Backward Tilt	5°
23	Minimum Outside Radius	117"
24	Platform Height (Optional 750mm)	30"
25	Platform Length	51"

Multi-Directional



Features Include:

- Rubber Mounted Cabin
- Multi-Direction Operation
- Load Sensing Steering
- 3 Wheel Electric Drive
- 4-way lever positioning of Wheel
- AC Motor Technology

Distributed by:

A	Capacity	11000 lbs
B	Unladen Weight	22000
C	Maximum Ground Speed	15km/h
D	Gradeability	10%
E	Battery Capacity	80V 1080Ah
F	Electrics	12 Volt
G	Fork Section 50mm x 200mm	51"
H	27 x 10 - 12 Front Tyre	OD 23" / Width 255m
I	355 / 65 - 15 Rear Tyre	OD 31" / Width 295
J	Standard Colour	Green & Grey
K	Suspension Seat	KAB Model 116

rev. 1.1

COMBILIFT HAS A POLICY OF CONTINUOUS PRODUCT DEVELOPMENT AND RESERVES THE RIGHT TO ALTER SPECIFICATIONS WITHOUT PRIOR NOTICE. SPECIFICATIONS AND/OR DIMENSIONS MAY VARY FROM THOSE ILLUSTRATED IN SOME COUNTRIES.